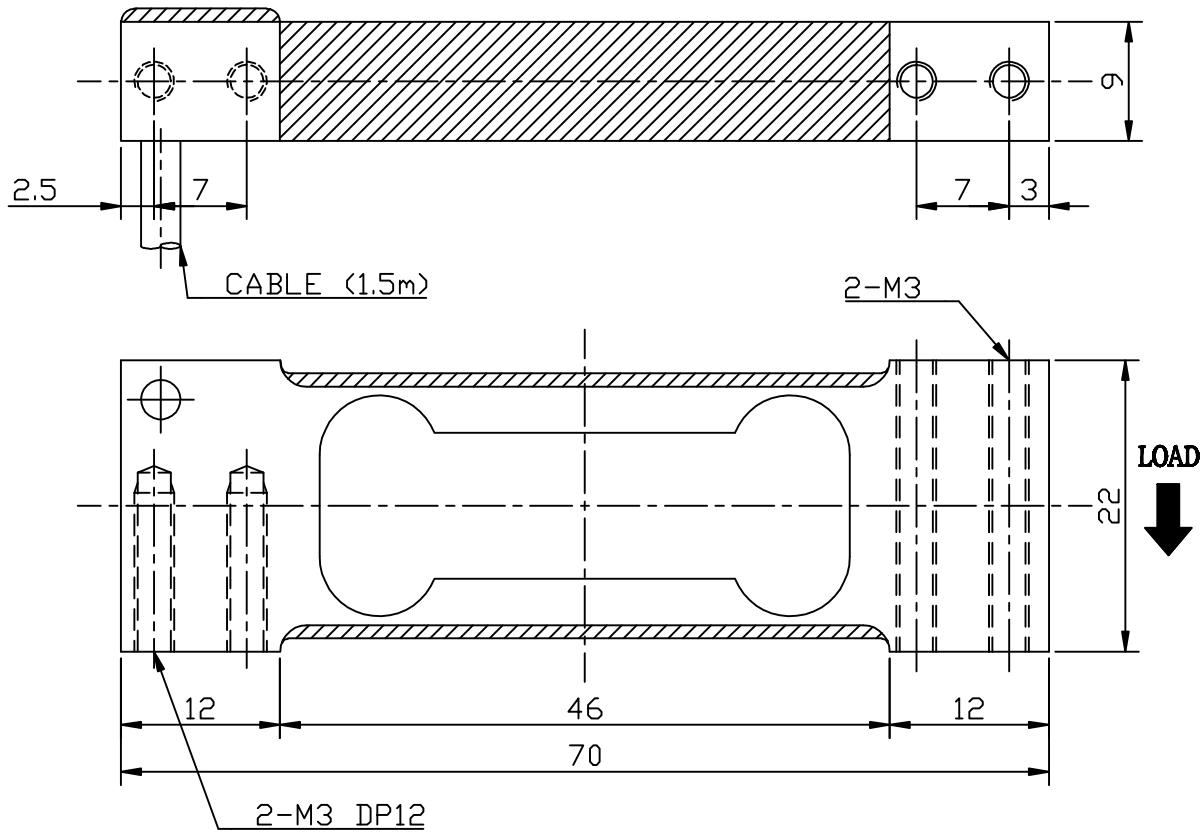


NO	DATE	ZONE	REVISION	CO'T	SIGN
▲					



SPECIFICATIONS	
MODEL	CB122
RATED CAPACITY (R.C.)	200gf , 300gf
RATED OUTPUT (R.O.)	1.2mV/V ± 1%
NON-LINEARITY	0.02% R.O.
HYSTERESIS	0.02% R.O.
REPEATABILITY	0.02% R.O.
ZERO BALANCE	±5% R.O.
TEMP. RANGE COMPENSATED	0°C~40°C
SAFE TEMPERATURE RANGE	-10°C~50°C
TEMP. EFFECT ON RATED OUTPUT	±0.02%LOAD/10°C
TEMP. EFFECT ON ZERO BALANCE	±0.03%R.O./10°C
RESISTANCE, INPUT	420 Ohm ± 30
RESISTANCE, OUTPUT	350 Ohm ± 2
INSULATION RESISTANCE BRIDGE TO GROUND	2000MΩ
ELECTRICAL CONNECTION	φ3mm x 4C x 1.5m
EXC. RECOMMENDED	10V
SAFE OVERLOAD	150% R.C.

1									
NO	DESCRIPTION	MATERIAL	HEART TREAT	Q'TY	DIMENSIONS	REMARK			
CHAMFER <input type="checkbox"/> C 0.1 <input type="checkbox"/> C 0.3 <input type="checkbox"/> C 0.5 <input type="checkbox"/> C 1		SCALE	ANGLE	1st	DESCRIPTION				
TOLERANCE LIMITS <input checked="" type="checkbox"/> MM <input type="checkbox"/> INCH		1 : 1	3rd	로드셀					
<input type="checkbox"/> 0. ±0.1 <input type="checkbox"/> 0.0 ±0.05 <input type="checkbox"/> 0.00 ±0.01 <input type="checkbox"/> 0.000 ±0.002	<input type="checkbox"/> 0.0 ±0.04 <input type="checkbox"/> 0.00 ±0.02 <input type="checkbox"/> 0.000 ±0.004 <input type="checkbox"/> 0.0000 ±0.0002	DRAWN BY JJS	PLANNED BY	CHECKED BY	APPROVED BY	MODEL CB122 200g, 300g	ORDER. ORDER DWG. NO	DWG NO CB122-1A-200g, 300g	SHEET
		2014.01.02			TEL 043-260-2242 www.dacell.co.kr				