

Pocket Indicator



>Model PDN-10

HAND-HELD TYPE.

The PDN-10 has been designed specifically to operate with strain gauge sensors such as Load cell, Pressure Transducer, LVDT, etc.

Pocket indicator with battery.

■Feature

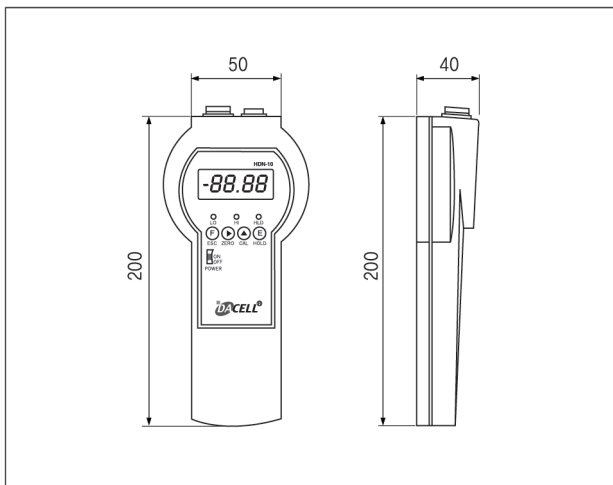
- Peak hold
- Auto Zero
- Measuring Data Saving (Max 500pcs.)
- Hi, Low Display LED

>SPECIFICATIONS

Specifications	Accuracy
Power Source	DC 1.5V *4EA (AAA size) battery
Electric current Consumption	15mA
LOAD CELL input range	1.0mV/V ~ 3.0mV/V, Potentiometer : 100~10KΩ
Display	4 1/2 Digit LCD
Characters displayed	-1999 ~ +1999
Display Speed	Approx. 10 times/sec
Decunak point Position	0, 0.0, 0.00, 0.000
A/D Sampling speed	100 times/sec
A/D Resolution	16 bit
Zero Adjust Range	100% F.S.(AUTO ZERO)
Data storage	500 data can be memorised
Data output	RS232C Serial Interface

>DIMENSIONS

unit:mm



>Model PDN-20

The PDN-20 has been designed specifically to operate with strain gauge sensors such as Load cell, Pressure Transducer, LVDT, etc.

Pocket indicator with rechargeable battery.

PEAK HOLD FUNCTION

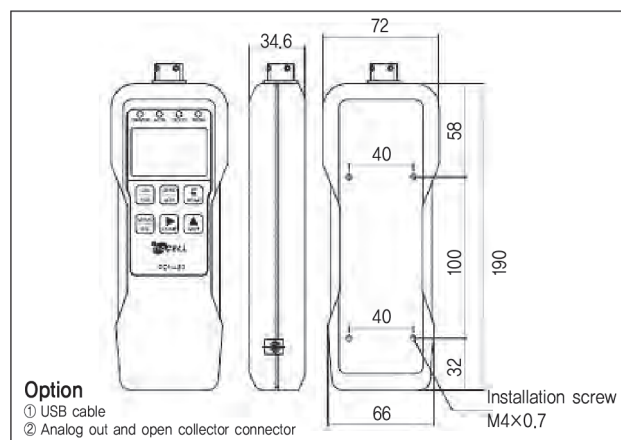
- ±NG, OK judgments with LED display(with open collector output)
- Connectable to computer through USB output cable (standard accessory)
- Display reverse function.
- Ergonomic, heavy-duty metal construction
- UNIT CONVERSION : N, kgf, lbf, ozf

>SPECIFICATIONS

Specifications	Accuracy
Usable Sensor	Strain gauge type sensor (Bridge 120Ω, 350Ω, 700Ω)
Range of Indication	-99999 to +99999
A/D Transducer	16-bit, 100 times/sec
D/A Transducer	12-bit
Indication of Measuring Value	5 digits LCD, Right/reverse display available
Measuring Unit	Kgt, N, lbf, ozf
Condition indicating LED	Indication of charge and compare output condition
Compare Output	High, Low, Good
Analog Output	DC +/-1V
Communication Output	USB
Range of using temperature	-10°C to 40°C
Weight	Approximately 800g
Power	Nickel hydrogen (NimH), Chargeable Adapter (DC 9V)
Continuous Use Life	Approximately 40 hours
Charging Time	Approximately 8 hours

>DIMENSIONS

unit:mm



Option

- ① USB cable
- ② Analog out and open collector connector

Installation screw M4×0.7

★Specifications are subject to change without notice.