

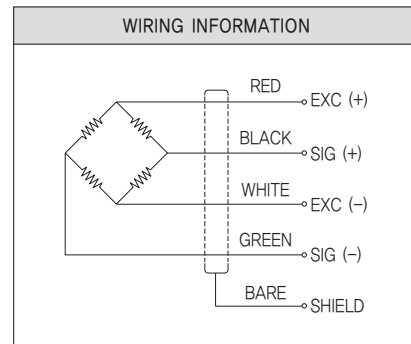
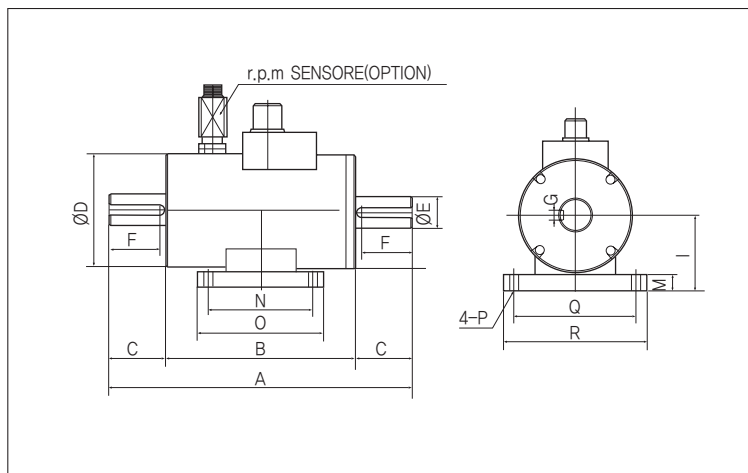
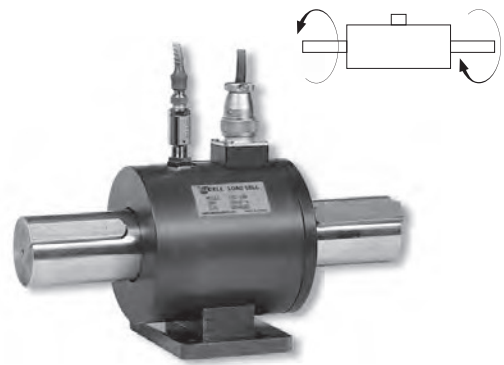
# Shaft Type Brushless Torque Sensors

## >Model TRC

Model TRC brushless type torque transducers are designed for high RPM application. The brushless type allows a maintenance free and a maximum durability.

This model can be used for various tests including aircraft engine test which requires high RPM and high accuracy.

※Option : r.p.m. sensor



## >SPECIFICATIONS

Specifications	Accuracy
Rated capacity(R.C.)	1, 2, 5, 10, 20, 50, 100, 200, 500, 1000, 2000(kgf-m), 9.807, 19.61, 49.03, 98.07, 196.1, 490.3, 980.7(N-m), 1.961, 4.903, 9.807, 19.61(kN-m)
Rated output(R.O.)	1.3mV/V±1%
Nonlinearity	±0.5%R.O.
Hysteresis	±0.5%R.O.
Repeatability	±0.5%R.O.
Excitation recommended	2 VAC
Temperature operating	0°C~60°C
Temperature effect, on rated output	0.2% Load/10°C
Temperature effect, on zero balance	0.3% R.O/10°C
Safe overload	120% R.C.
Cable length	Cable Ø10, 4 core shield 5m

## >DIMENSIONS TABLE

unit:mm

Model	Capacity	A	B	C	ØD	ØE	F	G	I	M	N	O	ØP	Q	R	R.P.M	Weight(kg)
TRC-1K	1kgf-m (9.807N-m)	236	146	45	84	17	40	5×5	55	12	83	101	7	91	109	10,000	3
TRC-2K	2kgf-m (19.61N-m)	236	146	45	84	17	40	5×5	55	12	83	101	7	91	109	10,000	
TRC-5K	5kgf-m (49.03N-m)	236	146	45	84	17	40	5×5	55	12	83	101	7	91	109	10,000	
TRC-10K	10kgf-m (98.07N-m)	240	150	45	90	25	40	8×7	60	12	83	101	7	97	115	10,000	8
TRC-20K	20kgf-m (196.1N-m)	240	150	45	90	25	40	8×7	60	12	83	101	7	97	115	10,000	
TRC-50K	50kgf-m (490.3N-m)	302	162	70	114	45	60	10×8	75	15	97	121	9	123	147	8,000	15
TRC-100K	100kgf-m (980.7N-m)	302	162	70	114	45	60	10×8	75	15	97	121	9	123	147	8,000	
TRC-200K	200kgf-m (1.961kN-m)	336	176	80	148	70	70	18×11	95	20	97	121	9	157	181	5,000	25
TRC-500K	500kgf-m (4.903kN-m)	336	176	80	148	70	70	18×11	95	20	97	121	9	157	181	5,000	
TRC-1000K	1000kgf-m (9.807kN-m)	445	185	130	173	90	110	25×14	110	20	108	134	11	184	210	3,800	55
TRC-2000K	2000kgf-m (19.61kN-m)	513	193	160	203	110	140	28×16	128	23	121	159	13	216	254	3,000	

★Specifications are subject to change without notice.