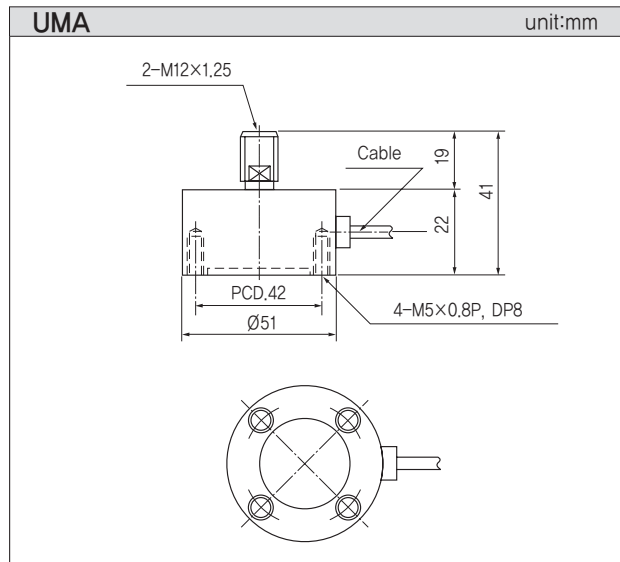
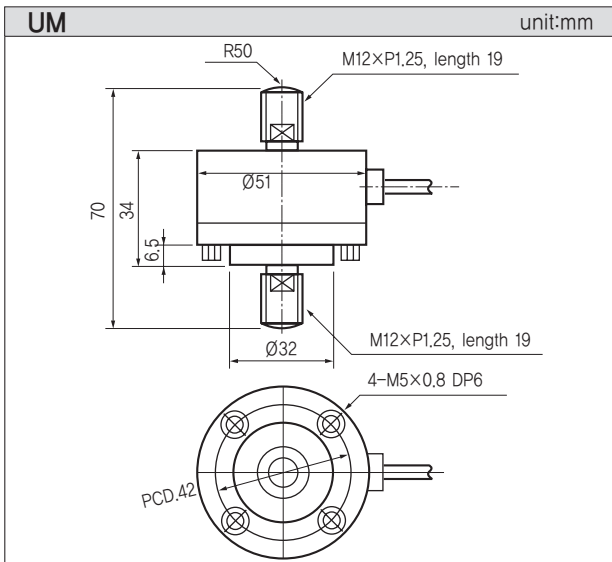
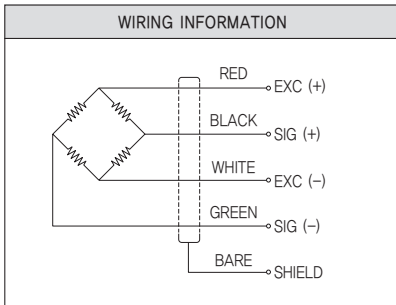
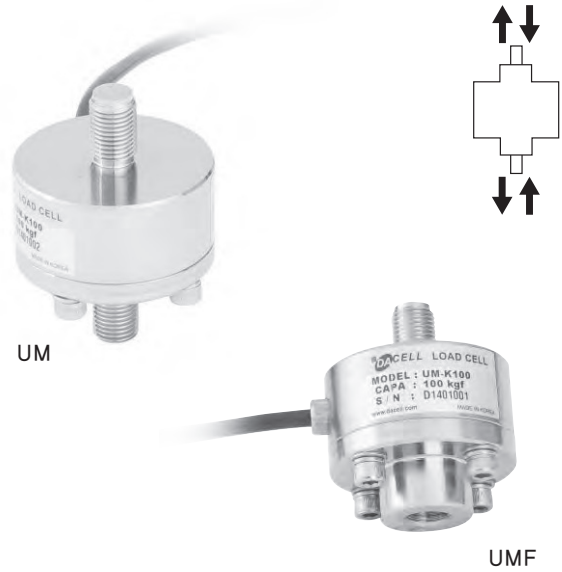


Miniature Tension Load Cells

>Model UM, UMA, UMF

Compression or Tension load cell.
 These load cells are extremely small and lightweight.
 Protection Class IP66



>SPECIFICATIONS

Specifications	Accuracy
Rated capacity(R.C.)	50kgf, 100kgf, 200kgf, 500kgf, 1tf, 2tf (490.3N, 980.7N, 1.961kN, 4.903kN, 9.807kN, 19.61kN)
Rated output(R.O.)	2mV/V±0.4%
Nonlinearity	0.15% of R.O.
Hysteresis	0.1% of R.O.
Repeatability	0.05% of R.O.
Zero balance	±2% of R.O.
Temperature effect, on rated output	0.1% of LOAD/10°C
Temperature effect, on zero balance	0.05% of R.O./10°C
Temperature range, compensated	-10~70°C
Temperature range, safe	-10~80°C
Terminal resistance input	350±50Ω
Terminal resistance output	350±2Ω
Insulation resistance bridge/case	2000MΩ
Excitation recommended	10V
Safe overload	150% R.C.
Cable length	Ø5mm 4core, 3m

★Specifications are subject to change without notice.

