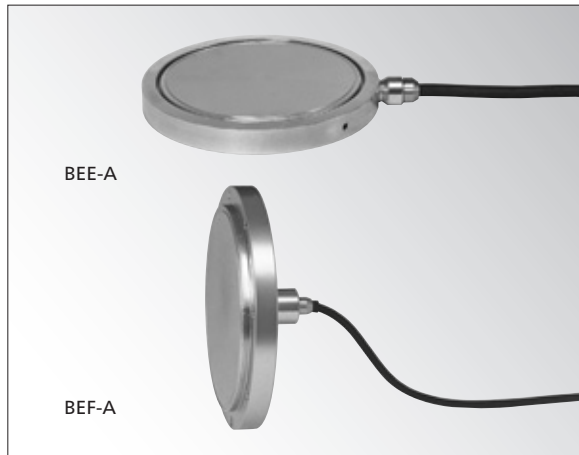


BEE-A/BEF-A

Soil Pressure Transducer

- Pressure Measurement
- 200 kPa to 2 MPa

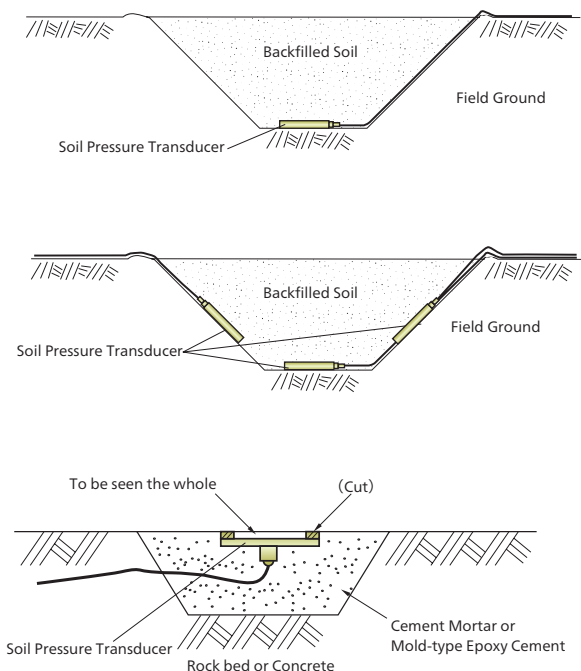


A pressure-sensing surface 160 mm in diameter, used most popularly in measuring fields.

- Applied pressure causes minimal diaphragm displacement thanks to a dual diaphragm design.
- Highly accurate displacement ratio of the pressure-sensing surface to its diameter is less than 1/100000.
- It is possible to measure dynamic soil pressure caused by earthquake, etc.

The BEE-A and BEF-A series are soil pressure transducers with an outer diameter of 200 mm which are used most popularly in measuring fields. The BEE-A series for underground soil pressure measurement is embedded in a core zone of a rock fill dam or ordinary banking. The BEE-A series can also measure soil pressure of 3 or 4-face objects. The BEF-A series can be used for soil pressure measurement of a continuous underground earth retaining wall.

Application Example



Specifications

Performance

Rated Capacity	See table below.
Nonlinearity	Within $\pm 1\%$ RO for 0.5 to 2 MPa Within $\pm 3\%$ RO for 200 kPa
Hysteresis	Within $\pm 1\%$ RO
Rated Output	1 mV/V or more for 0.5 to 2 MPa 0.9 mV/V or more for 200 kPa

Environmental Characteristics

Safe Temperature	-20 to 80°C
Compensated Temperature	-15 to 70°C
Temperature Effect on Zero	Within $\pm 0.1\%$ RO/°C
Temperature Effect on Output	Within $\pm 0.1\%$ /°C

Electrical Characteristics

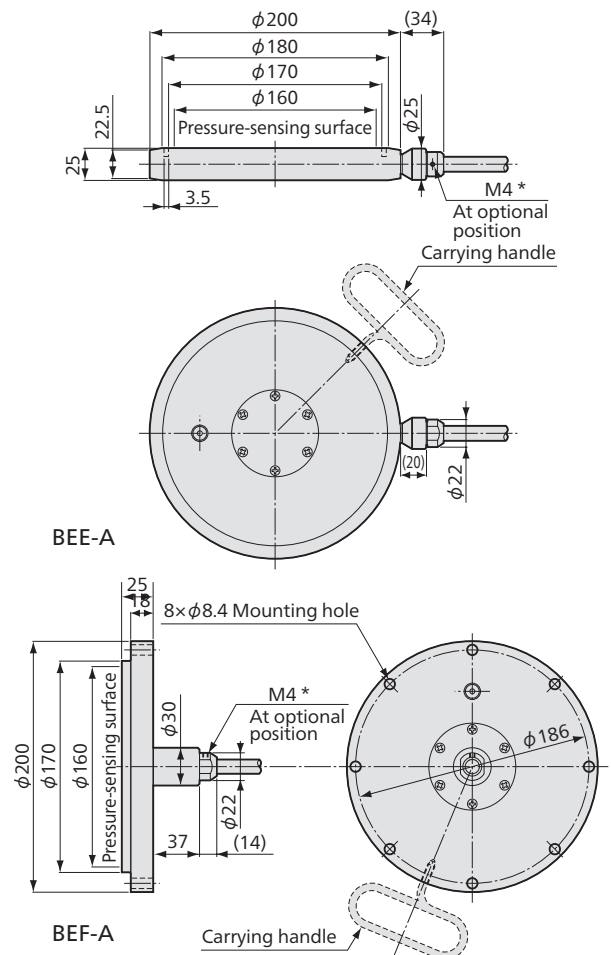
Safe Excitation	10 V AC or DC
Recommended Excitation	2 to 10 V AC or DC
Input Resistance	350 Ω $\pm 1\%$
Output Resistance	350 Ω $\pm 1\%$
Cable	4-conductor (0.5 mm ²) chloroprene cable, 11.5 mm diameter by 1 m long, bared at the tip

Mechanical Properties

Safe Overloads	120%
Weight	Approx. 6 kg for BEE-A Approx. 5.7 kg for BEF-A

Models	Rated Capacity	Use
BEE-A-200KP	200 kPa	Underground soil pressure measurement
BEE-A-500KP	500 kPa	
BEE-A-1MP	1 MPa	
BEE-A-2MP	2 MPa	
BEF-A-200KP	200 kPa	Wall surface soil pressure measurement
BEF-A-500KP	500 kPa	
BEF-A-1MP	1 MPa	
BEF-A-2MP	2 MPa	

Dimensions



*For grounding of lightning arrester kit.

