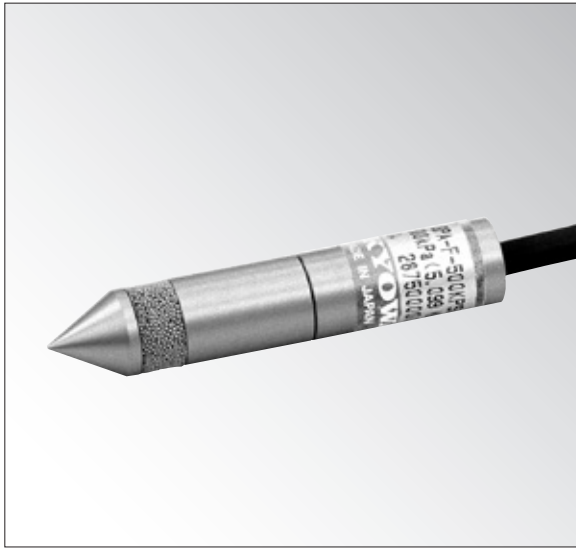


## Small-sized Pore Pressure Transducer

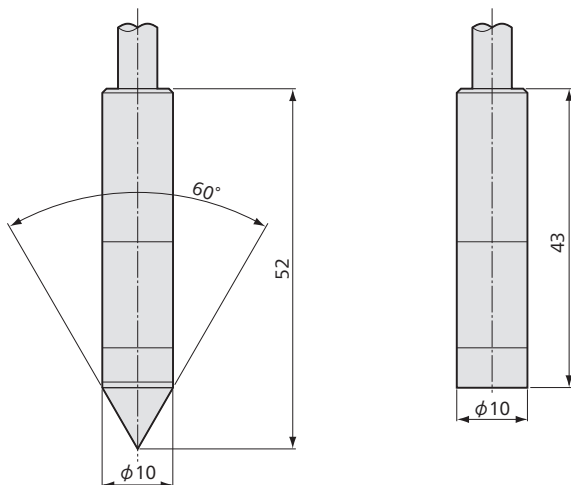


Suitable for indoor model experiments such as liquefaction tests.

- Small-sized, 10 mm in diameter
- Watertight design enabling embedment applications for short-term experiments
- Suitable for indoor experiments such as liquefaction tests
- Cone or flat tip type can be used properly.

Featuring an outer diameter of 10 mm, the BPA-F-S series pore pressure transducers are suitable for indoor model experiments such as liquefaction tests. Cone or flat tip type can properly be used according to the test condition.

#### ■ Dimensions



With cone filter mounted

With flat filter mounted

#### Specifications

##### Performance

Rated Capacity	BPA-F-200KPS: 200 kPa
	BPA-F-500KPS: 500 kPa
Nonlinearity	Within $\pm 1\%$ RO
Hysteresis	Within $\pm 1\%$ RO
Rated Output	0.85 mV/V $\pm 30\%$ for 200 kPa
	1 mV/V $\pm 20\%$ for 500 kPa

##### Environmental Characteristics

Safe Temperature	0 to 70°C (Non-freezing)
Compensated Temperature	0 to 50°C (Non-freezing)
Temperature Effect on Zero	Within $\pm 0.3\%$ RO/°C
Temperature Effect on Output	Within $\pm 0.3\%$ /°C

##### Electrical Characteristics

Safe Excitation	3 V AC or DC
Input Resistance	350 $\Omega$ $\pm 10\%$
Output Resistance	350 $\Omega$ $\pm 10\%$
Cable	4-conductor (0.08 mm <sup>2</sup> ) FTFE shielded cable, 4 mm diameter by 3 m long, bared at the tip (Shield is not connected to the case.)

##### Mechanical Properties

Safe Overloads	120% but 100% for 500 kPa
Water resistance	Approx. 240 kPa for 200 kPa
	Approx. 500 kPa for 500 kPa
Material	Stainless steel (Filter is sintered brass metallic finish)
Degree of Protection	IP67 (IEC 60529)
Weight	Approx. 40 g

##### Standard Accessories

Filters  
 Cone type, 40  $\mu$ m (Attached with main body) and 100  $\mu$ m  
 Flat type, 40  $\mu$ m and 100  $\mu$ m  
 Cone filter fixture (Attached with main body), Flat filter fixture

#### ■ Application Example

For Liquefaction Tests

