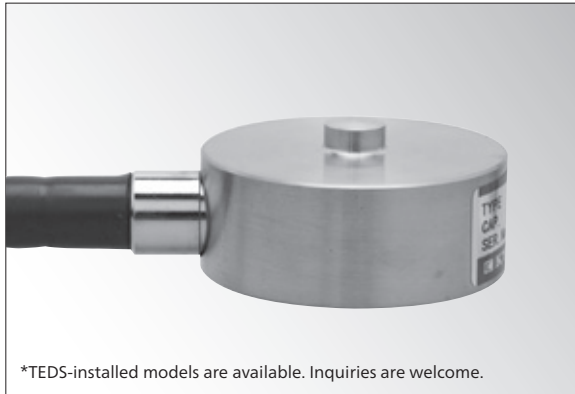


## Small-sized Compression Load Cell



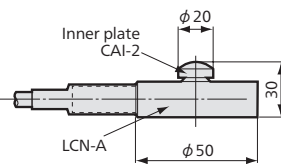
\*TEDS-installed models are available. Inquiries are welcome.

### Compact Corrosion-resistant Stainless Steel Enclosure Hermetically Sealed Structure with Inert Gas Filled in

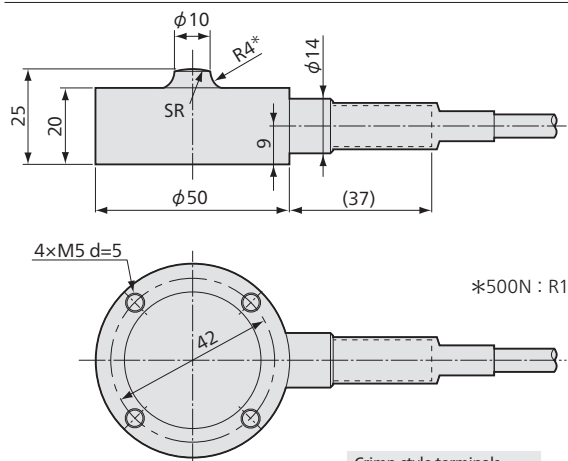
Compact & lightweight design facilitates installation into existing facilities. Excellent stability and reliability are ensured by the hermetically-sealed structure with inert gas filled in. Furthermore, the stainless steel (SUS 630) enclosure makes them widely usable as sensors for equipment requiring corrosion resistance.

#### Inner Plate CAI-2

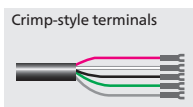
The inner plate is intended to protect the load sensing part at the top of load cell. It prevents the sphere from being flattened due to frequent impact loads.



#### Dimensions



Models	SR
LCN-A-500N to 2KN	15
LCN-A-5KN to 20KN	30



#### Specifications

##### Performance

Rated Capacity	See table below.
Nonlinearity	Within $\pm 0.15\%$ RO
Hysteresis	Within $\pm 0.1\%$ RO
Repeatability	0.05% RO or less
Rated Output	2 mV/V $\pm 0.3\%$

##### Environmental Characteristics

Safe Temperature	-20 to 80°C
Compensated Temperature	-10 to 70°C
Temperature Effect on Zero	Within $\pm 0.005\%$ RO/°C
Temperature Effect on Output	Within $\pm 0.01\%$ /°C

##### Electrical Characteristics

Safe Excitation	20 V AC or DC
Recommended Excitation	1 to 12 V AC or DC
Input Resistance	350 $\Omega$ $\pm 0.5\%$
Output Resistance	350 $\Omega$ $\pm 0.5\%$
Cable	4-conductor (0.5 mm <sup>2</sup> ) chloroprene shielded cable, 8.5 mm diameter by 3 m long, with crimp-style terminals for 4 mm (Shield wire is not connected to the case.)

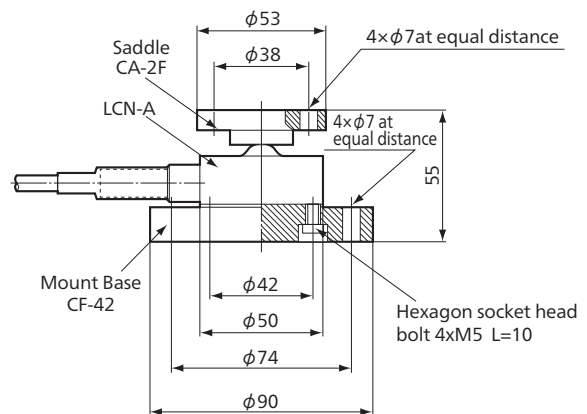
##### Mechanical Properties

Safe Overloads	200%
Natural Frequencies	See table below.
Weight	220 g (Excluding cable)
Materials	Main unit: SUS 630 Bottom plate: SUS 304
Degree of Protection	IP67 (IEC 60529)

Models	Rated Capacity	Natural Frequencies (Approx.)
LCN-A-500N	500 N	6.4 kHz
LCN-A-1KN	1 kN	5.3 kHz
LCN-A-2KN	2 kN	7.6 kHz
LCN-A-5KN	5 kN	13 kHz
LCN-A-10KN	10 kN	18 kHz
LCN-A-20KN	20 kN	24 kHz

#### Dimensions with Saddle and Mount Base Mounted

##### ● In Combination with Saddle CA and Mount Base CF



Hexagon socket head bolts to connect the load cell and mount base are attached to the mount base.

#### Saddle and Mount Base

Models	Saddles	Mount Bases
Dedicated for LCN-A	CA-2F	CF-42

● Physical quantity indication

● Static measurement ● Dynamic measurement

