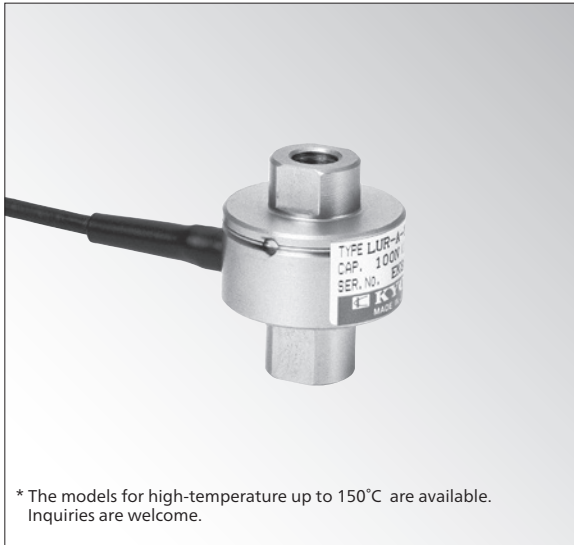


LUR-A-SA1

● $\phi 28$ mm ● 50 N to 2 kN

Compact Tension/Compression Load Cell



* The models for high-temperature up to 150°C are available. Inquiries are welcome.

Compact & lightweight Tension/Compression load cells

Compact & lightweight LUR-A-S1 series are easy to use tension/compression load cells. They are used in various fields ranging from production lines to experiments.

To Ensure Safe Usage

- Consult with our sales engineer when using in combination with special accessories.
- Special accessories for tensile loads should be mounted to the load cell at our factory.
- When using for tensile loads, be sure to fix the load cell with accessory hexagon socket head setscrews (M3, L=4).

*The connector plug at the cable tip may be replaced with R05-PB5M, when ordering, suffix "-R" to the model number.

Specifications

Performance

Rated Capacity	See table below.
Nonlinearity	Within $\pm 0.5\%$ RO
Hysteresis	Within $\pm 0.5\%$ RO
Rated Output	0.5 mV/V or more
	50NSA1: Approx. 0.4 mV/V

Environmental Characteristics

Safe Temperature	-10 to 70°C
Compensated Temperature	0 to 70°C
Temperature Effect on Zero	Within $\pm 0.05\%$ RO/°C
	(50NSA1: Within $\pm 0.1\%$ RO/°C)
Temperature Effect on Output	Within $\pm 0.05\%$ /°C
	(50NSA1: Within $\pm 0.1\%$ /°C)

Electrical Characteristics

Safe Excitation	7 V AC or DC
Recommended Excitation	1 to 2 V AC or DC
Input Resistance	350 Ω $\pm 2\%$
Output Resistance	350 Ω $\pm 2\%$
Cable	4-conductor (0.05 mm ²) chloroprene shielded cable, 3 mm diameter by 5 m long, terminated with a connector plug PRC03-12A10-7M (Shield wire is connected to the case.)

Mechanical Properties

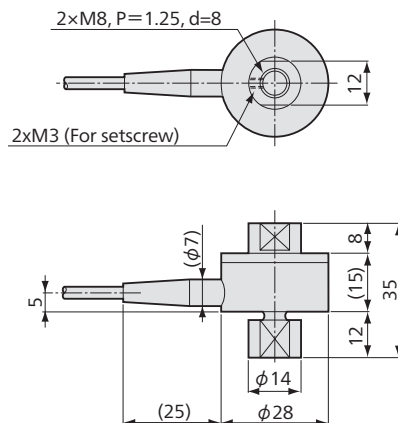
Safe Overloads	150%
Natural Frequencies	See table below.
Weight	Approx. 70 g (Excluding cable)

Standard Accessories Hexagon socket head setscrew M3, L=4

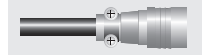
Optional Accessories Ball joint TU (Page 2-75)

Models	Rated Capacity	Natural Frequencies (Approx.)
LUR-A-50NSA1	± 50 N	2 kHz
LUR-A-100NSA1	± 100 N	4 kHz
LUR-A-200NSA1	± 200 N	5 kHz
LUR-A-500NSA1	± 500 N	9 kHz
LUR-A-1KNSA1	± 1 kN	14 kHz
LUR-A-2KNSA1	± 2 kN	20 kHz

Dimensions

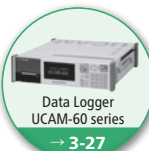


Connector plug PRC03-12A10-7M



- Physical quantity indication
- Static measurement
- Dynamic measurement

LUR-A-SA1
Recommended
products for
combination



Load Cells
(Load Transducers)

Outline

Compressive

Tensile

Tensile &
compressive

Component

Special

Other