

PDU-A

- Usable at Max. Line Pressure of 30 MPa
- 50 kPa to 2 MPa

Stainless Steel Differential Pressure Transducer



*TEDS-installed models are available. Inquiries are welcome.

Corrosion Resistant Built-in Variable Damping Mechanism

- Overload protection mechanism

Note: Copper alloy is used for sensing element. Avoid measuring corrosive liquid or gas.

Specifications

Performance

Rated Capacity	See table below.
Nonlinearity	Within $\pm 0.2\%$ RO for 50 to 500 kPa Within $\pm 0.25\%$ RO for 1, 2 MPa
Hysteresis	Within $\pm 0.2\%$ RO for 50 to 500 kPa Within $\pm 0.25\%$ RO for 1, 2 MPa
Repeatability	0.1% RO or less
Rated Output	1.5 mV/V $\pm 0.5\%$

Environmental Characteristics

Safe Temperature	-30 to 90°C
Compensated Temperature	-20 to 80°C
Temperature Effect on Zero	Within $\pm 0.01\%$ RO/°C for 0.2 to 2 MPa Within $\pm 0.02\%$ RO/°C for 50, 100 kPa
Temperature Effect on Output	Within $\pm 0.01\%$ RO/°C for 0.2 to 2 MPa Within $\pm 0.02\%$ RO/°C for 50, 100 kPa

Electrical Characteristics

Safe Excitation	15 V AC or DC
Recommended Excitation	1 to 10 V AC or DC
Input Resistance	350 $\Omega \pm 1\%$
Output Resistance	350 $\Omega \pm 1\%$
Cable	4-conductor (0.3 mm ²) chloroprene shielded cable, 7.6 mm diameter by 5 m long, terminated with connector plug PRC03-12A10-7M (Shield wire is connected to the case.)

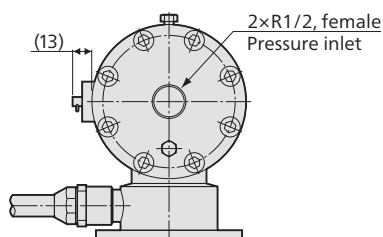
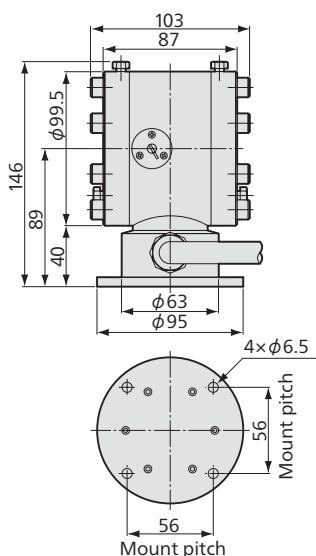
Mechanical Properties

Safe Overloads	150% (If an overload of 30 MPa is applied to either high or low pressure side, the transducer is not damaged.)
Maximum Line Pressure	30 MPa
Weight	Approx. 6 kg (Excluding cable)

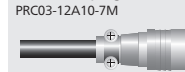
*To use for gases, contact us.

Models	Rated Capacity
PDU-A-50KP	50 kPa
PDU-A-100KP	100 kPa
PDU-A-200KP	200 kPa
PDU-A-500KP	500 kPa
PDU-A-1MP	1 MPa
PDU-A-2MP	2 MPa

Dimensions



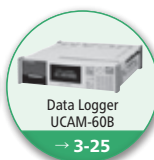
Connector plug
PRC03-12A10-7M



- Physical quantity indication



- Static measurement



- Dynamic measurement

