

PGR-A

- Ultimate overloads: 117.7 MPa
- 1 to 20 MPa

High-pressure-resistant Pressure Transducer



*TEDS-installed models are available. Inquiries are welcome.

High temperatures (Up to 100°C) High-pressure-resistant and highly accurate pressure transducer

- High temperatures (Up to 100°C)
- High pressure resistant
- Highly accurate

Specifications

Performance

Rated Capacity	See table below.
Nonlinearity	Within $\pm 0.1\%$ RO
Hysteresis	Within $\pm 0.1\%$ RO
Rated Output	1.5 mV/V (3000×10^{-6} strain) $\pm 5\%$

Environmental Characteristics

Safe Temperature	-30 to 110°C
Compensated Temperature	-10 to 100°C
Temperature Effect on Zero	Within $\pm 0.01\%$ RO/°C
Temperature Effect on Output	Within $\pm 0.01\%$ /°C

Electrical Characteristics

Safe Excitation	12 V AC or DC
Recommended Excitation	1 to 8 V AC or DC
Input Resistance	350 $\Omega \pm 1.4\%$
Output Resistance	350 $\Omega \pm 1.4\%$
Cable	4-conductor (0.75 mm ²) fluonlex shielded cable, 8 mm diameter by 5 m long, bared at the tip (Shield wire is not connected to the case.)

Mechanical Properties

Safe Overloads (*1)	300%
Ultimate Overloads (*2)	117.7 MPa (10 to 50KA) 196.1 MPa (100, 200KA)
Natural Frequencies	See table below.
Material	Case: SUS (Metallic finish) Liquid-contacting part: SUS 630
Weight	Approx. 400 g (Excluding cable)
Mounting Screw	G3/8, male

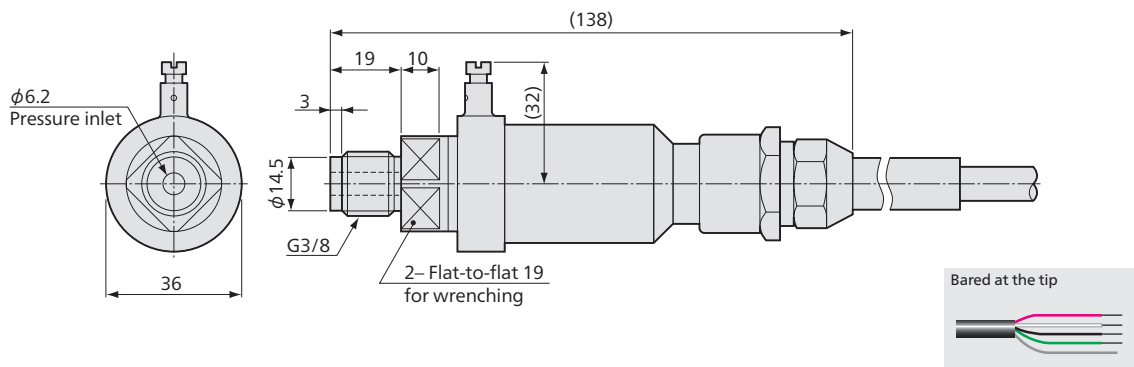
Standard Accessories Gasket (Mild copper)

Models	Rated Capacity	Natural Frequencies
PGR-10KA	1 MPa	≈ 12 kHz
PGR-20KA	2 MPa	≈ 17 kHz
PGR-50KA	5 MPa	≈ 29 kHz
PGR-100KA	10 MPa	≈ 42 kHz
PGR-200KA	20 MPa	≈ 60 kHz

*1. Maximum overload which is applied without causing any permanent change in specified characteristics.

*2. Maximum overload which is applied without causing any structural damage.

Dimensions



● Physical quantity indication

● Static measurement

● Dynamic measurement

PGR-A Recommended products for combination

- Instrumentation Amplifier WGA-900A → 3-95
- Instrumentation Amplifier WGA-680A → 3-97
- Data Logger UCAM-60 series → 3-27
- Universal Recorder EDX-200A → 3-57
- Universal Recorder EDX-100A → 3-65

