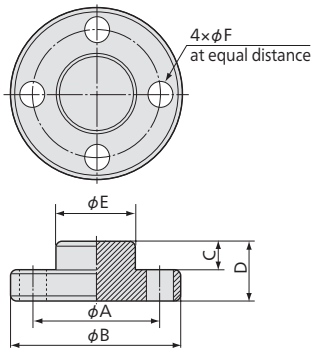


Dimensions of Special Accessories



Saddles

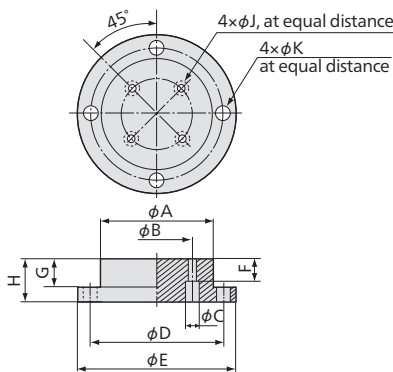
CA-B, CA-MH



Models	Applicable Load Cells	φA	φB	C	D	φE	φF	Hexagon socket head bolts	Weight
CA-1B	LU-50KE to 500KE LCS-500KD, 1TD	43	58	9	19	27	7	M6	≈ 300 g
CA-2B	LCK-A-5KN to 20KN LTZ-50K to 2TA LUH-50KF to 500KF LUB-B	38	53	9	19	24	7	M6	≈ 200 g
CA-10B	LC-5,10TV LCK-A-50KN, 100KN LCS-2TD, 5TD LTZ-5TA	80	98	12	24	60	11	M10	≈ 1 kg
CA-50B	LC-20TV LCV-A-500KN LCK-A-200KN LCH-10TF, 20TF	100	118	13	28	80	11	M10	≈ 1.8 kg
CA-1MH	LCV-A-1MN	128	156	25	40	100	13	M12	≈ 4 kg

Mount Bases

CF

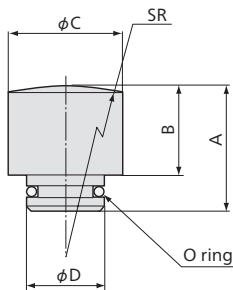


Models	Applicable Load Cells	φA	φB	φC	φD	φE	F	G	H	φJ	φK	Hexagon socket head bolts	Weight
CF-50	LC-5TV LU-50KE to 200KE	80	50	10	96	112	13	20	30	5.5	9	4xM5, L20	≈ 1.5 kg
CF-60	LC-10TV LC-G LU-5KA to 20KA	90	60	13	106	122	13	20	30	7	9	4xM6, L20	≈ 1.8 kg
CF-80	LC-20TV LCS-500KD to 10TE LU-50KE to 500KE LUH-50KF to 1TF	100	80	16	124	148	18	25	40	9	13	4xM8, L25	≈ 3.9 kg
CF-110	LCH-10TF	160	110	16	184	208	22	30	50	9	13	4xM8, L35	≈ 9.8 kg
CF-113F	LCV-A-500KN	130	113	18	154	178	35	30	50	11	13	4xM10, L45	≈ 7 kg
CF-130F	LCV-A-1MN	150	130	20	184	208	35	30	50	13	13	4xM12, L50	≈ 9 kg

The hexagon socket head bolts are standard provided.

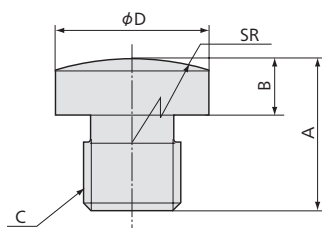
Patches

CW-005 to 2



Models	Applicable Load Cells	A	B	φC	φD	R	Weight
CW-005	LUB-5 to 50KB	22	15	13	8	20	≈ 18 g
CW-02	LUB-100KB, 200KB	22	15	16	10	30	≈ 27 g
CW-1	LUB-500KB, 1TB LUB-500KC	30	20	24	16	50	≈ 85 g
CW-2	LUB-2TB LUB-2TC	38	26	30	20	70	≈ 170 g

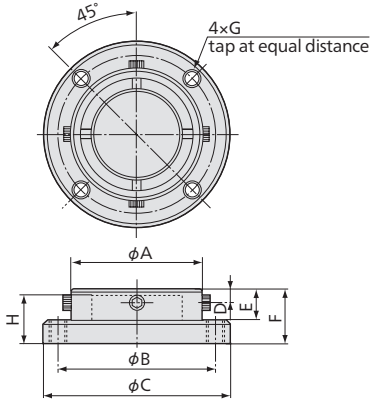
CWM-6 to 24



Models	Applicable Load Cells	A	B	C	φD	R	Weight
CWM-6	LTZ-50KA, 100KA	10	4	M6, P=1	10	30	≈ 2 g
CWM-12	LTZ-200KA to 1TA	19	7	M12, P=1.75	19	30	≈ 25 g
CWM-18	LTZ-2TA	28	10	M18, P=1.5	26	70	≈ 70 g
CWM-24	LTZ-5TA	37	17	M24, P=2	36	70	≈ 200 g

Movable Saddles

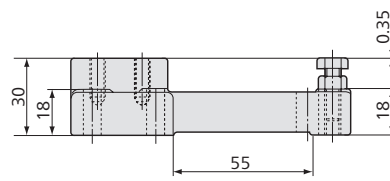
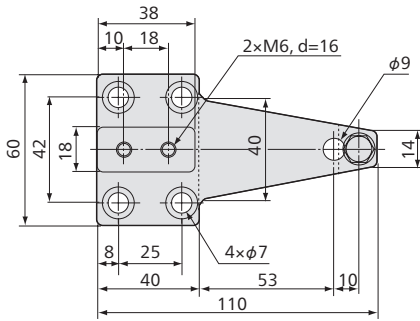
ER-B



Models	Applicable Load Cells	φA	φB	φC	D	E	F	G	R	Weight
ER-2B	LUH-50KF to 500KF	75	90	108	10	22	35	M8	34	≈ 1.5 kg
ER-5B	LC-5TV, LUH-1TF to 5TF LCS-2TD, 5TD	110	128	148	15	30	50	M12	49	≈ 4.3 kg
ER-10B	LC-10TV, LCH-10TF, LUH-10TF	140	158	178	15	40	60	M12	59	≈ 7.5 kg
ER-20B	LC-20TV, LUH-20TF LCH-20TF	160	178	198	20	50	80	M12	78	≈ 13.1 kg

Mount Bases with a Stopper

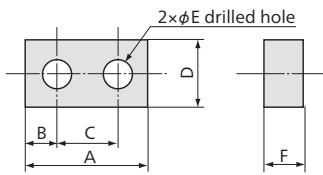
LD-005



Applicable load cells: LUB-5KB to 50KB
Weight: Approx. 600 g

Spacers

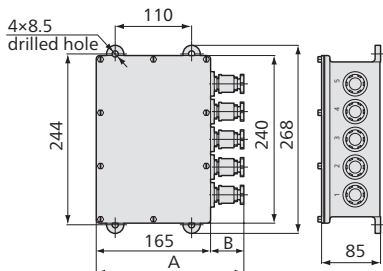
LE-005 to 2



Models	Applicable Load Cells	A	B	C	D	φE	F	Weight
LE-005	LUB-5KB to 50KB	36	9	18	22	6.6	13	≈ 74 g
LE-02	LUB-100KB, 200KB	40	10	20	22	9	13	≈ 77 g
LE-1	LUB-500K, 1TB LUB-500KC	100	25	50	40	13.5	20	≈ 590 g
LE-2	LUB-2TB LUB-2TC	118	29	60	50	17.5	25	≈ 1.1 g

Junction Boxes

SJB-4C, 4D

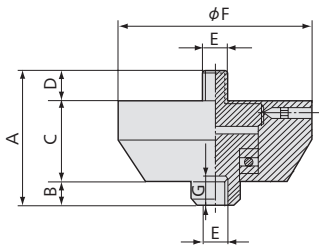


Models	A	B	Through Fittings	Cables	Weight
SJB-4C	212	47	15c	4-conductor (0.5 mm ²) repletion cable	≈ 4.7 kg
SJB-4D	208	43	10b	4-conductor (0.3 mm ²) shielded cable	≈ 4.4 kg



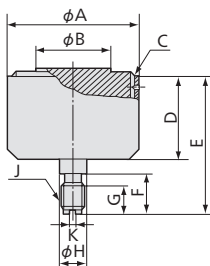
Rotating Attachments

RJ-02 to 20



Models	Applicable Load Cells	A	B	C	D	E	ϕF	G	Weight	Rated Capacity	Safe Static Overload
RJ-02	LU-50KE to 200KE	55	10	35	10	M8, P=1.25	80	12	≈ 1.2 kg	2 kN	11.7 kN
RJ-05	LU-500KE	58	10	35	13	M12, P=1.75	100	17	≈ 1.7 kg	5 kN	21.5 kN
RJ-1	LU-1TE	82	10	52	20	M14, P=2	100	22	≈ 2.8 kg	10 kN	37.2 kN
RJ-2	LU-2TE	82	10	52	20	M18, P=1.5	100	22	≈ 2.8 kg	20 kN	64.7 kN
RJ-5	LU-5TE	118	14	71	33	M26 P=2	112	35	≈ 5.1 kg	50 kN	136.3 kN
RJ-10	LU-10TE	158	19	96	43	M36, P=2	138	45	≈ 10.4 kg	100 kN	215.7 kN
RJ-20	LU-20TE	226	25	140	61	M50, P=3	186	65	≈ 28.3 kg	200 kN	431.4 kN

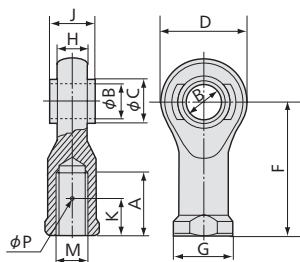
RJ-02 to 5B



Models	Applicable Load Cells	ϕA	ϕB	C	D	E	F	G	ϕH	J	K	Weight	Rated Capacity	Safe Static Overload
RJ-02B	LT-50KFH to 200KFH LT-50KFL to 200KFL	74	42.5	M68	48	78	23	17	15	M12, P=1.75	1.6	≈ 1.5 kg	2 kN	20.5 kN
RJ-05B	LT-500KFH LT-500KFL	78	42.5	M72	58	94	27	20	20	M14, P=2	3	≈ 1.9 kg	5 kN	31.3 kN
RJ-1B	LT-1TFH LT-1TFL	78	42.5	M72	65	109	33	26	25	M18, P=1.5	3	≈ 2.7 kg	10 kN	41.1 kN
RJ-2B	LT-2TFH LT-2TFL	82	42.5	M72	72	127	44	35	30	M24, P=2	3	≈ 2.8 kg	20 kN	48.0 kN
RJ-5B	LT-5TFH LT-5TFL	134	63	M110	107	179	55	45	50	M39, P=3	6	≈ 10.9 kg	50 kN	166.7 kN

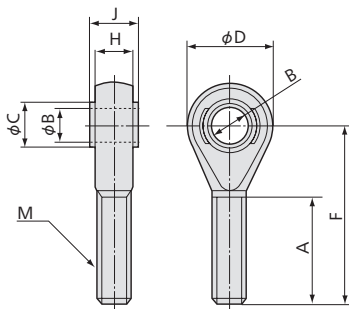
Ball Joints

TU-12 to 39B



Models	Applicable Load Cells	ϕA	ϕB	ϕC	D	F	G	H	J	K	M	ϕP	Weight	Rated Capacity	Safe Static Overload
TU-12B	LT-50KFH to 200KFH LT-50KFL to 200KFL	24	12	15.43	30	50	22	12	16	14.5	M12, P=1.75	1.8	≈ 200 g	2 kN	31.3 kN
TU-14B	LT-500KFH LT-500KFL	27	14	16.86	34	57	25	13.5	19	16	M14, P=2	3.2	≈ 200 g	5 kN	42.1 kN
TU-18B	LT-1TFH LT-1TFL	36	18	21.89	42	71	31	16.5	23	21	M18, P=1.5	3.2	≈ 300 g	10 kN	82.3 kN
TU-24B	LT-2TFH LT-2TFL	48	25	29.60	56	94	42	22	31	30.5	M24, P=2	3.2	≈ 700 g	20 kN	146.1 kN
TU-39B	LT-5TFH LT-5TFL	73	40	46.28	85	140	65	33	48	49.5	M39, P=3	6.3	≈ 2.2 kg	50 kN	160.0 kN

TU-8 to 50, 6C to 24C



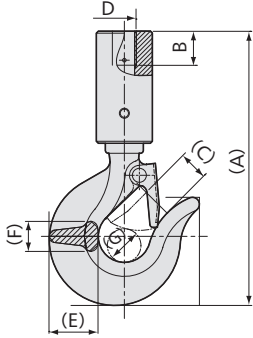
Models	Applicable Load Cells	A	ϕB	ϕC	ϕD	F	H	J	M	Weight	Rated Capacity	Safe Static Overload
TU-6C	LTZ-50, 100KA	22	6	9	18	36	6.7	9	M6, P=1	≈ 20 g	1 kN	4.9 kN
TU-8	LU-50KE to 200KE LUR-A-SA1	29	8	10.4	22	46	8.25	11	M8, P=1.25	≈ 100 g	2 kN	12.7 kN
TU-12	LU-500KE LUH-50KF to 200KF	37	12	15.43	30	62	13.25	16	M12, P=1.75	≈ 100 g	5 kN	31.3 kN
TU-12C	LTZ-200KA to 1TA											
TU-14	LU-1TE LUH-1TF	38	14	18	37	64	14.25	17	M14, P=2	≈ 200 g	10 kN	42.1 kN
TU-18	LU-2TE LUH-500KF, 2TF	44	18	21.89	42	72	16.5	23	M18, P=1.5	≈ 300 g	20 kN	82.3 kN
TU-18C	LTZ-2TA											
TU-24C	LTZ-5TA	66	25	35.5	70	113	26.5	37	M24, P=2	≈ 1 kg	50 kN	182.4 kN
TU-26	LU-5TE LUH-5TF	68	25	33.5	70	113	26.5	37	M26, P=2	≈ 1 kg	50 kN	182.4 kN
TU-36	LU-10TE LUH-10TF	115	40	54	105	173	39.5	60	M36, P=2	≈ 3.2 kg	100 kN	352.0 kN
TU-50	LU-10TE LUH-10TF	122	50	66.5	136	210	49	75	M50, P=2	≈ 7.2 kg	200 kN	672.7 kN

TU-6C, 12C, 18C, and 24C are designed for the LTZ-A series, and come standard with nuts.



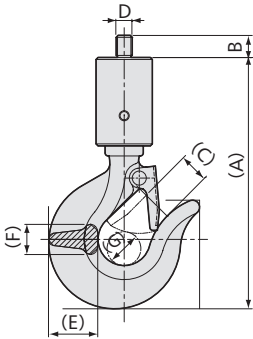
Hooks

THD



Models	Applicable Load Cells	A	B	C	D	E	F	G	Weight	Rated Capacity
THD-2	LT-50KFH to 200KFH LT-50KFL to 200KFL	135	17	13	M12×1.75	27	17	11	≈ 0.5 kg	2 kN
THD-5	LT-500KFH LT-500KFL	161	19	19	M14×2	32	19	16	≈ 0.6 kg	5 kN
THD-10	LT-1TFH LT-1TFL	224	25	26	M18×1.5	48	29	19	≈ 1.8 kg	10 kN
THD-20	LT-2TFH LT-2TFL	302	33	34	M24×2	69	46	34	≈ 5.8 kg	20 kN
THD-50	LT-5TFH LT-5TFL	397	54	41	M39×3	81	50	41	≈ 8.4 kg	50 kN

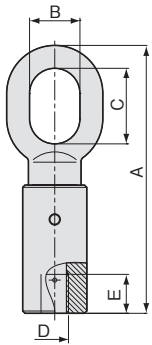
THC



Models	Applicable Load Cells	A	B	C	D	E	F	G	Weight	Rated Capacity
THC-2	LU-50KE to 200KE	124	12	13	M8×1.25	27	17	11	≈ 0.4 kg	2 kN
THC-5	LU-500KE	145	16	19	M12×1.75	32	19	16	≈ 0.6 kg	5 kN
THC-10	LU-1TE	216	20	26	M14×2	48	29	19	≈ 1.8 kg	10 kN
THC-20	LU-2TE	286	26	34	M18×1.5	69	46	34	≈ 5.7 kg	20 kN
THC-50	LU-5TE	352	35	41	M26×2	81	50	41	≈ 8.2 kg	50 kN

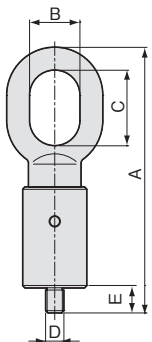
Hooks

TRD



Models	Applicable Load Cells	A	B	C	D	E	Weight	Rated Capacity
TRD-2	LT-50KFH to 200KFH LT-50KFL to 200KFL	126	23	34	M12×1.75	17	≈ 0.4 kg	2 kN
TRD-5	LT-500KFH LT-500KFL	155	28	42	M14×2	19	≈ 0.6 kg	5 kN
TRD-10	LT-1TFH LT-1TFL	211	38	60	M18×1.5	25	≈ 1.5 kg	10 kN
TRD-20	LT-2TFH LT-2TFL	306	58	91	M24×2	33	≈ 4.6 kg	20 kN
TRD-50	LT-5TFH LT-5TFL	414	82	110	M39×3	54	≈ 8.9 kg	50 kN

TRC



Models	Applicable Load Cells	A	B	C	D	E	Weight	Rated Capacity
TRC-2	LU-50KE to 200KE	115	23	34	M8×1.25	12	≈ 0.4 kg	2 kN
TRC-5	LU-500KE	139	28	42	M12×1.75	16	≈ 0.6 kg	5 kN
TRC-10	LU-1TE	199	38	60	M14×2	20	≈ 1.5 kg	10 kN
TRC-20	LU-2TE	290	58	91	M18×1.5	26	≈ 4.6 kg	20 kN
TRC-50	LU-5TE	369	82	110	M26×2	35	≈ 8.1 kg	50 kN